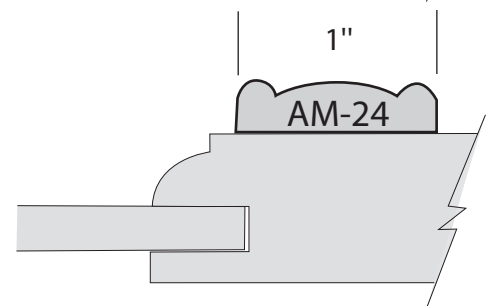
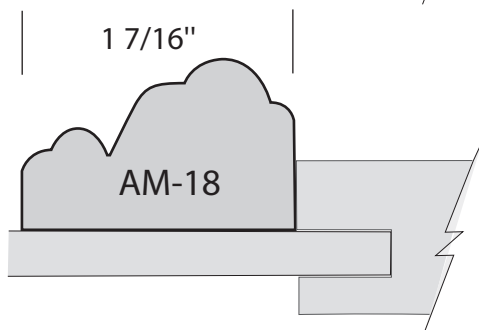
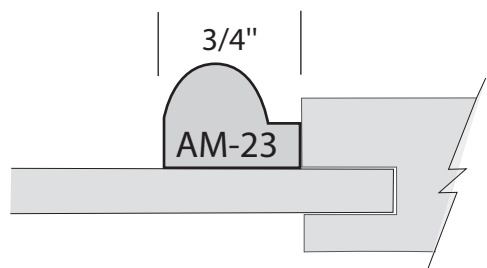
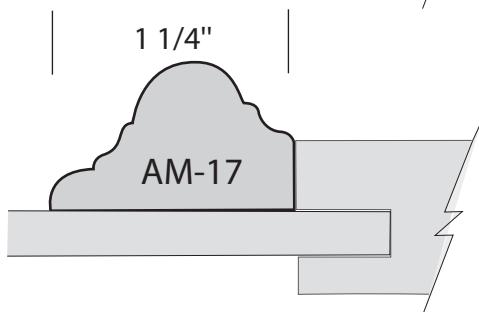
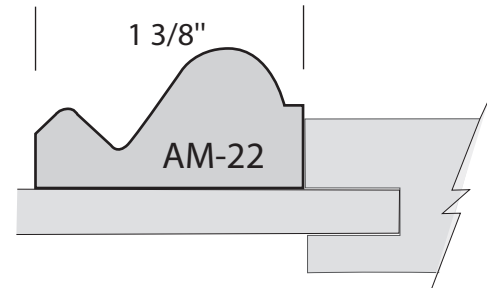
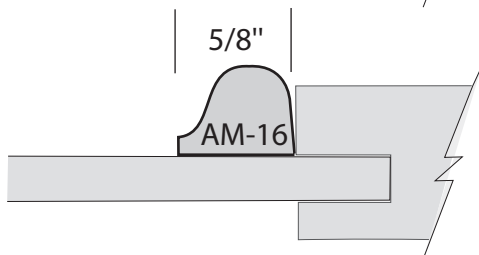
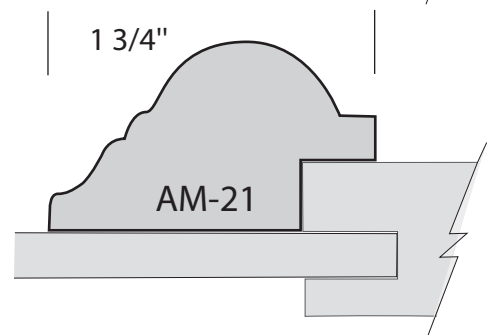
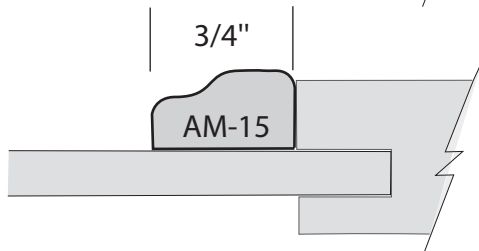
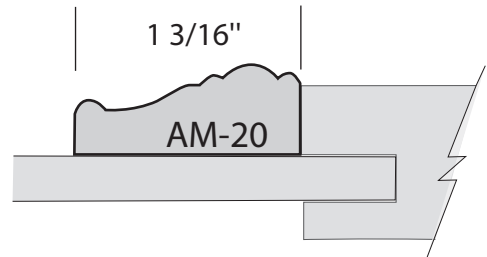
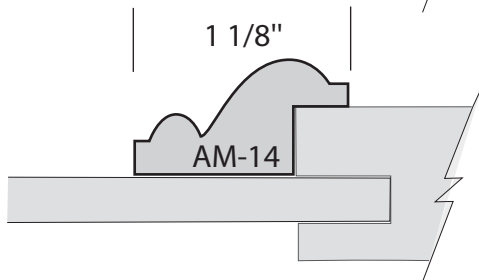
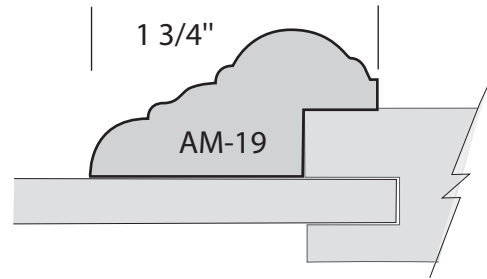
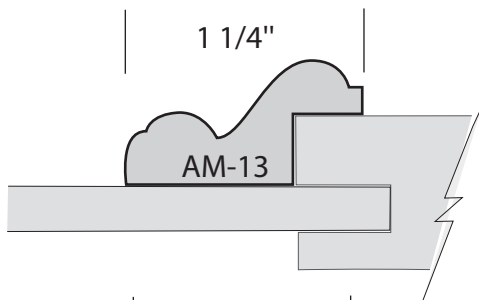


# Applied Mouldings



Note: Profiles are as close to actual size as possible